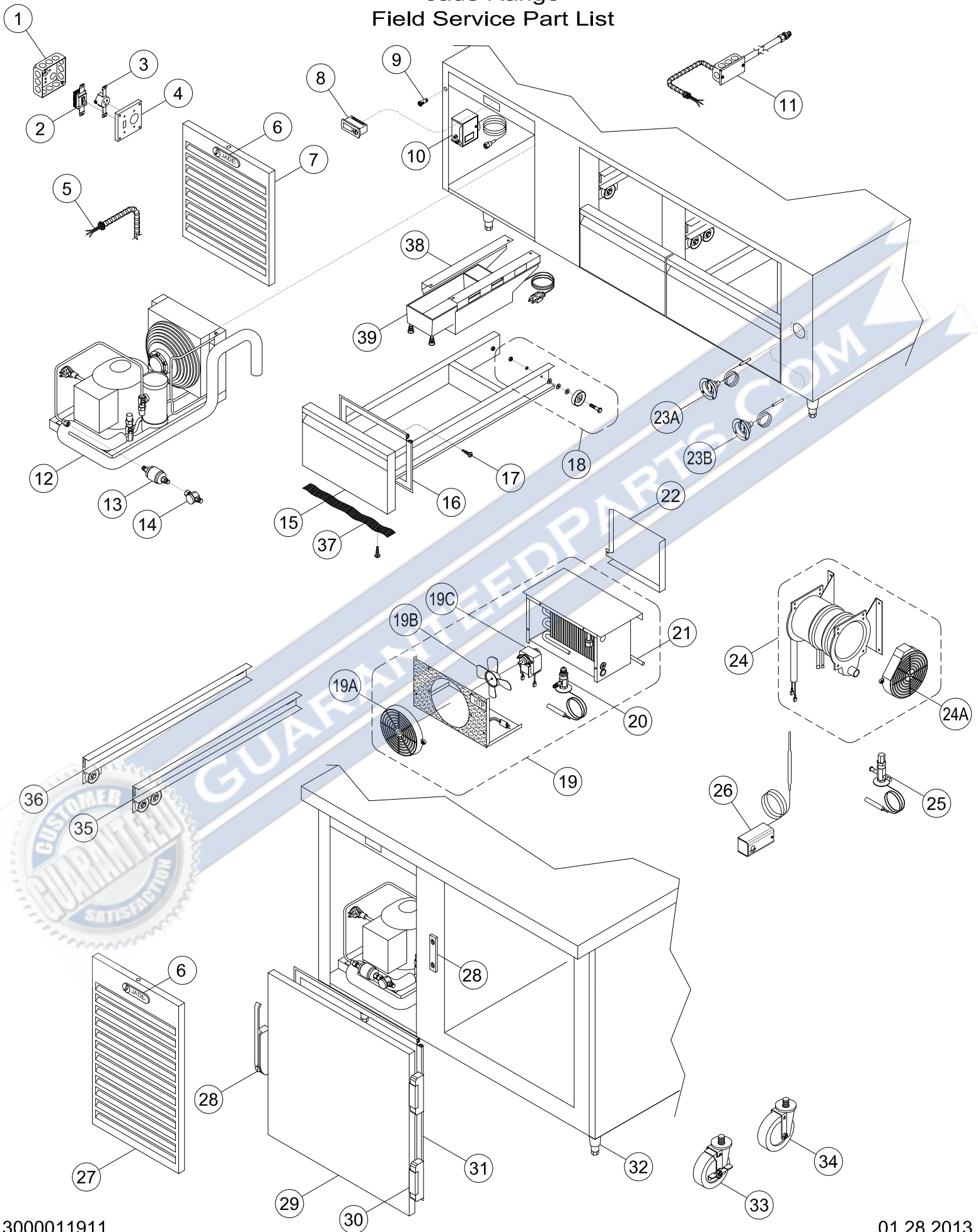


TITAN - JRLH, JRCH - REFRIGERATION SECTION

Jade Range

Field Service Part List



TITAN - JRLH, JRCH - REFRIGERATION SECTION

ITEM	DESCRIPTION	PART #	LIST
1	J-BOX 4" SQ X 1.5DP 190 RACO	2029800000	
2	SWITCH, 120V 20AMP SPST TOGGLE	2030800000	
3	RECEPTACLE 110V TWIST LOCK	2034900000	
4	450 BOWERS, 1/20 RECEPTICLE COVER	2030100000	
5	WIRE HARNESS	3000011897	
6	LOGO, JADE	2100000078	
7	LOUVERED ACCESS PANEL - JRLH **SPECIFY MODEL/DIMENSION**	~	
8	CONTROL, PMD RF ONMI-STAT DGTL	3000011823	
9	INDICATOR LIGHT, ZENER DIODE (APPLE B)	3000010380	
10	CONTROL LOW PRESSURE RANCO	3000011898	
11	HARD WIRE KIT (SERVICE ONLY)	2900010985	
12	CONDENSER **SPECIFY MODEL/REFRIGERANT TYPE**	~	
13	DRIER C-032 1/4 SMALL FLARE	4812700000	
14	INDICATOR, LIQUID SA-12FM	4811500000	
15	DRAWER **SPECIFY MODEL/DIMENSION**	~	
16	DRAWER GASKET	~	
	TOP DRAWER GASKET - 28 1/2 X 6 3/4	2100010397	
	DRAWER GASKET - 28 1/2 X 7 3/4	2100010444	
	TOP MEGA DRAWER GASKET - 41 3/8 X 6 3/4	2100010442	
	BOTTOM MEGA DRAWER GASKET - 41 3/8 X 7 3/4	2100010441	
	DRAWER GASKET - 15 5/8 X 7 3/4	2100004886	
	DRAWER GASKET - 23 5/8 X 7 3/4	2100004887	
17	SCREW, #8 X 1/2 PN, PH, ZN, TK	3416200000	
18	WHEEL ASSY. COMPLETE W/MOUNTING HDWE	7240700000	
	A BOLT, 1/4-20 X 1-1/4 HEX S/S	3460800000	
	B WHEEL S/S 2" NO 08-106	7211800000	
	C WASHER, 1/4 MSLW S/S	3460900000	
	D NUT, 1/4-20 HX S/S	3461100000	
	E WASHER, 1/4 FLAT SS	3461000000	
19	COIL, TT18 - 8RP RUSSEL R (1 FAN / 800 BTU)	6811100000	
	COIL, TT18 - 13RP R (2 FAN / 1300 BTU)	6811200000	
	A FAN GUARD (COVER), RUSSEL COIL - 6 3/4" (w/out tabs) 8" (w/ tabs)	4817200000	
	B BLADE, FAN RUSSEL COIL - 6"	4816900000	
	C MOTOR, 115V RUSSEL COIL - 120V, 60HZ, 70A	4816600000	
20	EXPANSION VALVES FOR EVAPORATOR TYPE SYSTEM	~	
	A VALVE, EXPANSION NIV 1/4 C R22	4813400000	
	B VALVE, EXPANSION R404	3000010878	
	C VALVE, EXPANSION NIR 1/4 C R404	4812100000	
	D VALVE, SPORLAN FBJ-1/4-C 134	3000010475	
21	TUBING, 5/8 OD X 1/2 ID CLEAR	5614200000	
22	AIR FIN, RH, JRLH (service only)	2100007783	
	AIR FIN, LH, JRLH (service only)	2100007784	
23	A THERMOMETER DIAL	4811600000	
	B THERMOMETER DIGITAL	3000011975	
24	COOL REFRIGERATION TUBE 19"	3000011477	
	EXPANSION VALVE 404 (FOR USE W/19" COOL TUBE)	3000010878	
	COOL REFRIGERATION TUBE 10" (EXP. VALVE INCLUDED)	3000011478	
	A COOL TUBE FAN MOTOR ASSY	3000011543	

Continue next page

TITAN - JRLH, JRCH - REFRIGERATION SECTION

ITEM	DESCRIPTION	PART #	LIST
25	EXPANSION VALVE FOR 19" COOL REFRIGERATION TUBE SYSTEM	3000010878	
26	CONTROL, JOHNSON A19-ABA-40	4848900100	
27	LOUVERED ACCESS PANEL - JRCH **SPECIFY MODEL/DIMENSION**	~	
28	LATCH, #171C	7212000000	
29	DOOR ASSY. **SPECIFY MODEL/DIMENSION**	~	
30	HINGE, 1 3/8 #220 KASON	7213900000	
31	DOOR GASKETS	~	
	DOOR GASKET, 23 3/4 X 20 1/4	8429100000	
	DOOR GASKET, 25 1/4 X 16 1/4	8429500000	
	DOOR GASKET, 22 1/8 X 20 1/8	2100005037	
32	LEG, 6"	3012700000	
33	CASTER, 6" LOCK POLYLEFIN	3000011271	
34	CASTER, 6" NON-LOCK POLYLEFIN	3000011272	
35	DRAWER TRACK ASSY, MEGA LH	2500126664	
	DRAWER TRACK ASSY, MEGA RH	2500126665	
36	DRAWER TRACK ASSY LH	2500126609	
	DRAWER TRACK ASSY RH	2500126610	
37	WIPER STRIP	7226200000	

3000011911

01.28.2013

GUARANTEED PARTS

